

SINGER
301-1

SINGER** 301-I MACHINE ELECTRICAL EQUIPMENT Showing Points of Wear

1. Test motor by running at varying speeds.
2. Check for smoking (low speed and sparking).
3. Note quick heating and any other unusual condition.

PROCEDURE FOR INSPECTING ELECTRICAL EQUIPMENT:

1. Lead Cord
2. Brush Covers and Brushes
3. Motor Cover
4. Check for oil on armature and field coils
5. Motor Leads and Terminal Connections

IN THE HOME

1. Lead Cord
2. Brush Covers and Brushes
3. Motor Cover
4. Check for oil on armature and field coils
5. Motor Leads and Terminal Connections

AT THE REPAIR BENCH

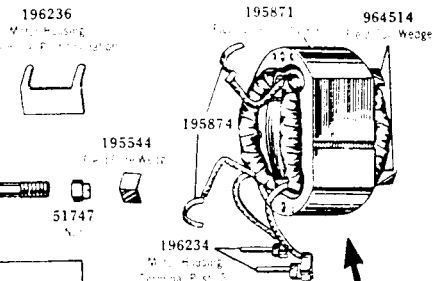
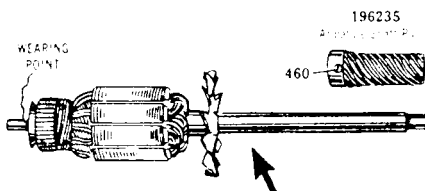
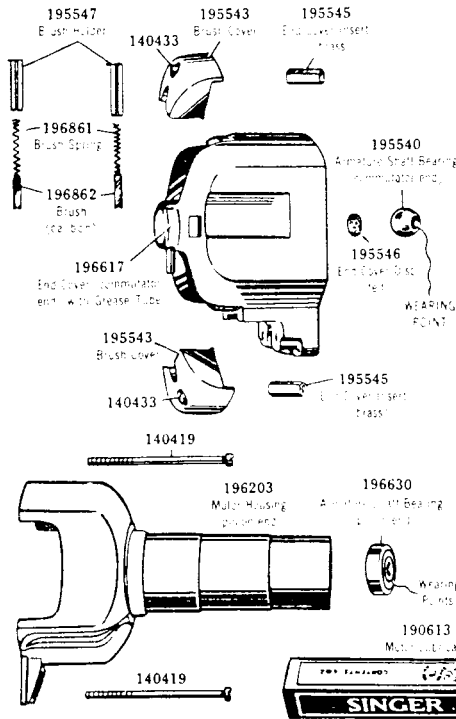
Major Electrical Repairs should be referred to the nearest Repair Station:

1. Brush Covers and Brushes
2. Brush Holders
3. End Cover
4. Armature
5. Armature sleeve bearing and ball bearing—mechanical condition and lubrication
6. Field Coils and Connections
7. Terminal Connections
8. Lead Cord

SINGERLIGHT

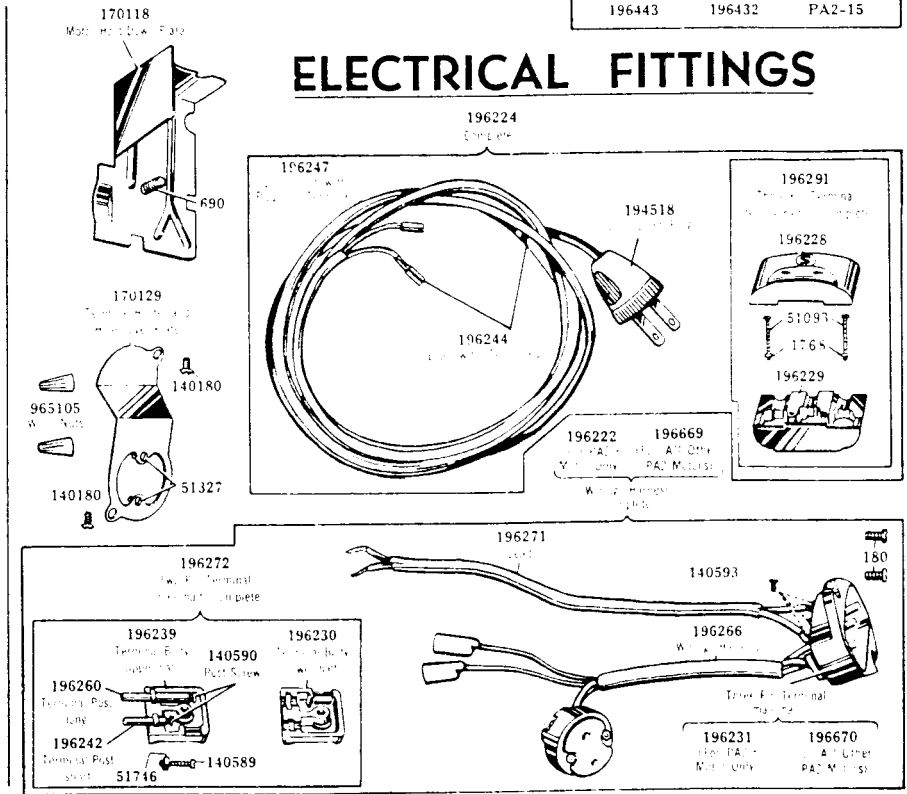
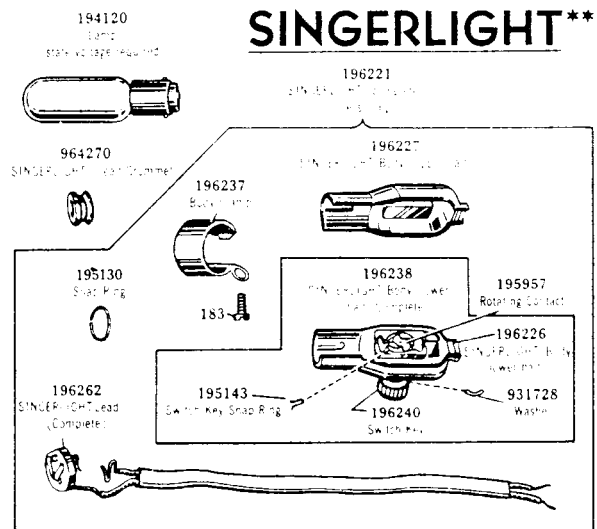
1. Lamp Bulb
2. Shade
3. Body Hook for track and pour contact
4. Switch
5. Lead

PA2 MOTOR PARTS



N.	M.	VOLTS	COILS
196411	Armature with end caps	PA2-1	12
196412	Armature with end caps	PA2-3	32
196413	Armature with end caps	PA2-5	50
196414	Armature with end caps	PA2-6	95-100
196415	Armature with end caps	PA2-7	100-110
196252	Armature with end caps	PA2-8	110-120
196416	Armature with end caps	PA2-9	150-165
196417	Armature with end caps	PA2-10	190-210
196418	Armature with end caps	PA2-11	210-230
196419	Armature with end caps	PA2-12	230-250
196420	Armature with end caps	PA2-14	120-130
196421	Armature with end caps	PA2-15	130-145

PA2-1	PA2-2	PA2-3	PA2-4	PA2-5	PA2-6	PA2-7	PA2-8	PA2-9	PA2-10	PA2-11	PA2-12	PA2-13	PA2-14	PA2-15
196433	196422	196434	196423	196435	196424	196436	196425	196437	196426	196438	196427	196439	196428	196440
196441	196430	196442	196431	196443	196432									



FORM 20654

Copyright U. S. A. 1953 by The Singer Manufacturing Company
All Rights Reserved for all Countries
Printed in U. S. A.

301-I MACHINE ELECTRICAL EQUIPMENT

** Trade Mark of the SINGER MANUFACTURING COMPANY

SINGER** S4 SINGERLIGHTS**

Showing Points of Wear

INSPECT PARTS

FOR WEAR IN THE
FOLLOWING ORDER:

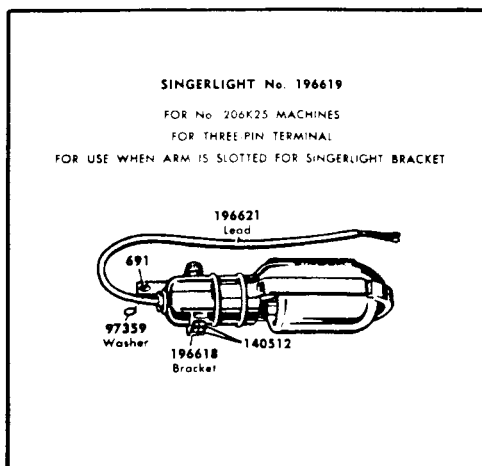
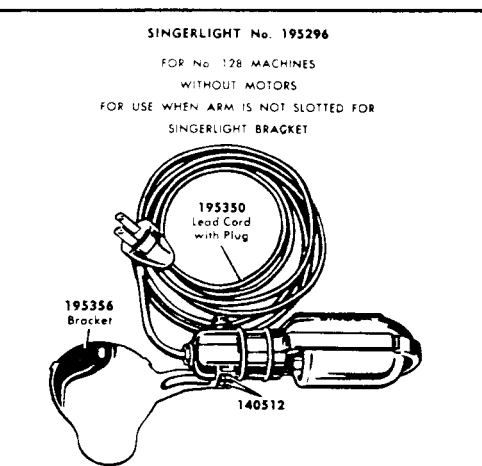
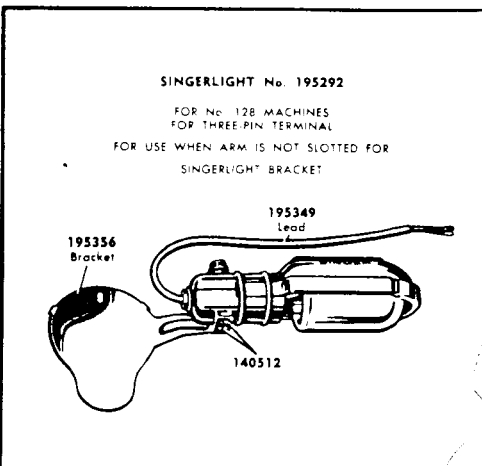
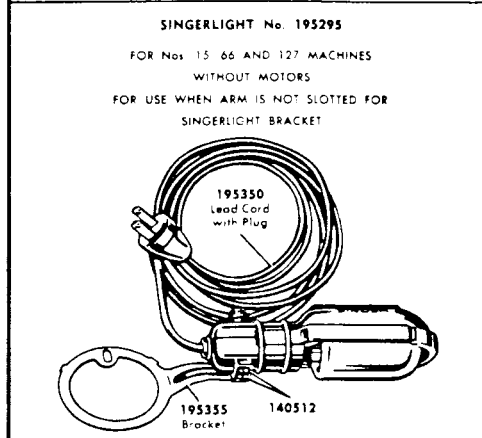
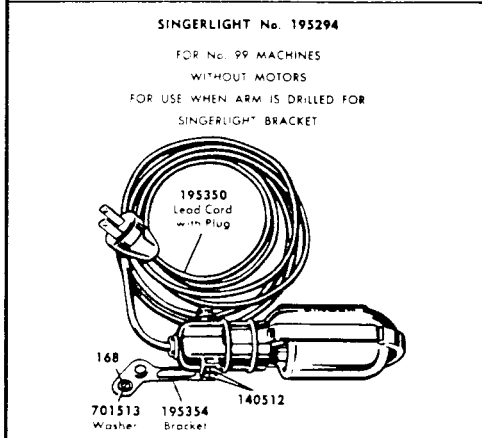
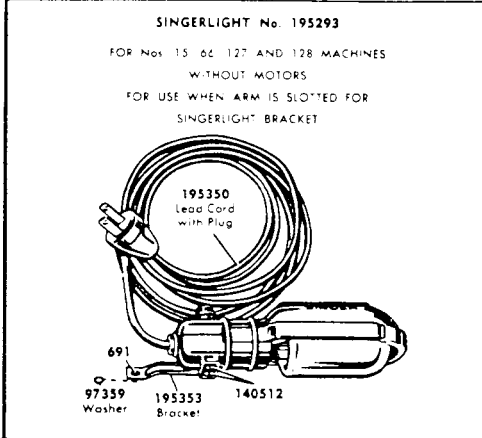
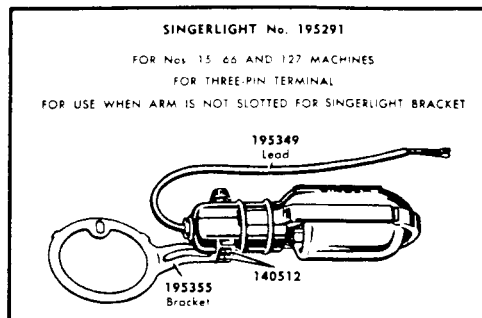
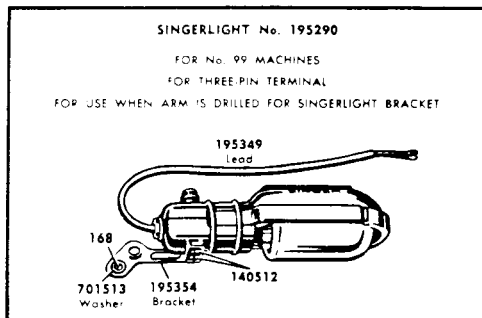
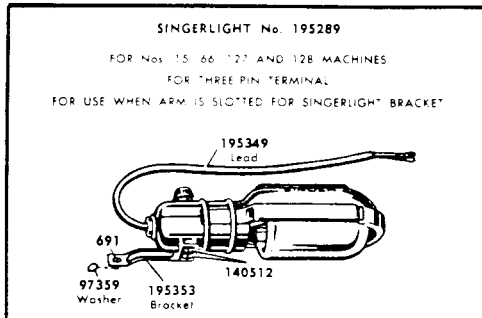
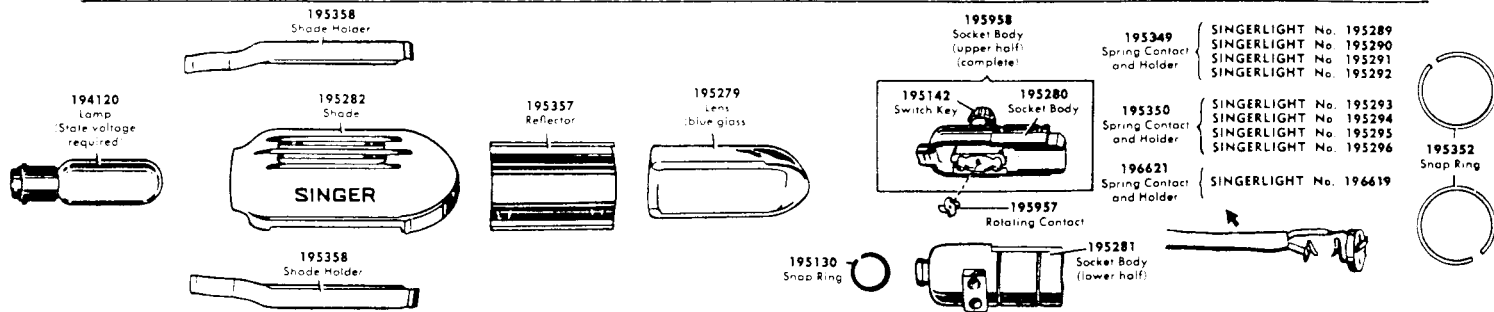
1. Lamp (Bulb)

2. Shade

3. Body (Look for cracks and
poor contact)

4. Switch

5. Lead



FORM 20664

**A Trade Mark of THE SINGER MANUFACTURING COMPANY

Copyright, U. S. A., 1953, by The Singer Manufacturing Company
All Rights Reserved for all Countries
Printed in U. S. A.

S4 SINGERLIGHTS